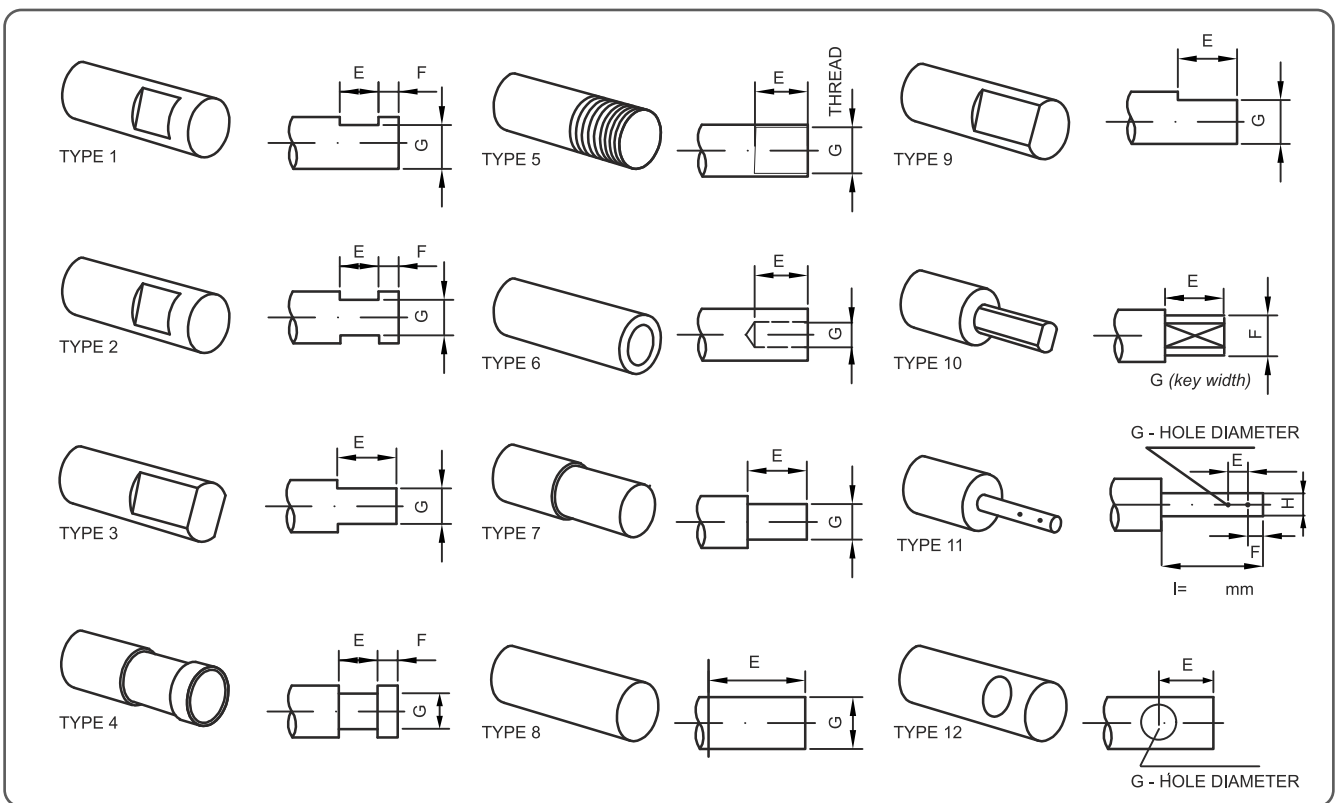


CUSTOMER:		E-MAIL:		DELIVERY ADDRESS:		
INQUIRY/ORDER DATE:		INQUIRY/ORDER NUMBER:		QUANTITY:		
ROLLER DIMENSIONS:						
L:						
L2:						
D:						
d:						
SHAFT END TYPE (CHOOSE FROM THE LIST BELOW)						
SHAFT END 1:	E:	F:	G:	H:		
SHAFT END 2:	E:	F:	G:	H:		



<input type="checkbox"/> GUIDE ROLLER	STANDARD ROLLER DIAMETERS: 51, 63.5, 88.9, 108, 133, 159 CUSTOM SIZES AND TYPES AVAILABLE ON REQUEST (DETAILED SPECIFICATION REQUIRED)